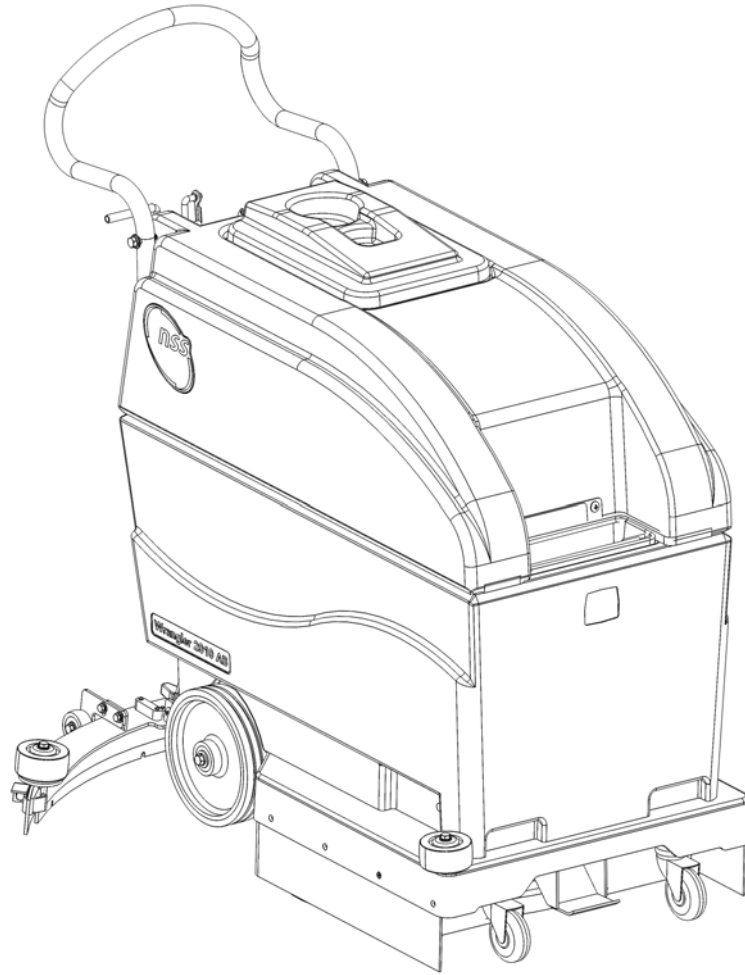


OPERATION MANUAL

WRANGLER 1710 AB / 2010 AB

Original Instructions Instructions D'origine



CE



WRANGLER 1710 AB / 2010 AB



IMPORTANT SAFETY INSTRUCTIONS
WARNING: Failure to observe these instructions can cause personal injury to machine operator or bystanders.



WARNING: Fire or explosion hazard. **NEVER** operate this machine in an explosive atmosphere (grain dust, flammable liquids or fumes, etc.).



WARNING: Fire or explosion hazard. **NEVER** attempt to pick up flammable or combustible materials or use such materials in tank.



WARNING: Orange Oil (D-limonene) is not compatible with the plastics used in NSS automatic scrubbers and the Sidekick Chemical Metering System. Use of D-limonene may result in damage to the machine.



WARNING: This product contains a chemical known to the state of California to cause cancer and birth defects or other reproductive harm.

INTENDED USE

This machine is designed for scrubbing floors in an indoor environment. NSS does not recommend using this machine for any other purpose.

FOR SAFETY:

- **ALWAYS** read and understand all instructions before operating or servicing machine.
- **ALWAYS** use this machine **ONLY** as described in this manual.
- **NEVER** attempt to operate this machine unless you have been trained in its operation.
- **NEVER** allow an untrained person to operate this machine.
- **NEVER** attempt to operate this machine if it is not working properly or has been damaged in any manner.
- **NEVER** disconnect or modify any switches or safety devices (circuit breaker).
- **NEVER** drop or insert any object into any machine opening.
- **NEVER** operate this machine with any air opening blocked. Keep all air openings free of dust, lint, hair, etc.
- **NEVER** pick up anything that is burning or smoking, such as cigarettes, matches or hot ashes.
- **NEVER** spray this machine with water or any liquids.
- **NEVER** allow the vacuum motor or battery-charging plug to get wet or a short may occur.
- **NEVER** operate this machine when the battery charger is plugged in.
- **NEVER** operate this machine with the side skirt removed.
- **NEVER** allow this machine to be used as a toy. Close attention is necessary when used by or near children.
- **ALWAYS** wear clean tennis shoes or "non-slip" shoes. Leather soled shoes will become extremely slippery when wet.
- **ALWAYS** keep face, fingers, hair or any other body part or loose clothing away from any machine opening or moving part (revolving brush, pad driver, or vacuum motor).
- **ALWAYS** turn the machine off when attaching pads or brushes.
- **ALWAYS** remove keys when this machine is left unattended.
- **ALWAYS** be sure that the ramp is secured to the vehicle before attempting to load / unload.
- **ALWAYS** use extreme caution when operating the machine on a ramp or loading / unloading this machine into or out of a truck / trailer. Use extreme caution if the ramp is wet, oily, or covered with cleaning chemicals.
- **NEVER** stop or turn the machine on a ramp or incline.
- **NEVER** attempt to climb a grade or operate this machine on a ramp or incline of more than 8 degrees.
- **NEVER** park or store the machine near a dock, on ramps, near a furnace, boiler, open flame, or other high heat source.
- **NEVER** allow this machine to freeze.
- **NEVER** expose the machine to rain, snow, or extreme temperatures.
- **NEVER** store any items on this machine.
- **ALWAYS** store this machine indoors in a dry, cool area.

ALL REPAIR SERVICE MUST BE PERFORMED BY AN NSS AUTHORIZED DISTRIBUTOR/ SERVICE STATION USING ONLY NSS ORIGINAL EQUIPMENT PARTS.

SAVE THESE INSTRUCTIONS



IMPORTANT SAFETY INSTRUCTIONS



BATTERY POWERED EQUIPMENT WITH ON BOARD CHARGERS

WARNING: Failure to observe these instructions can cause personal injury to machine operator or bystanders.



Read and understand all instructions before installing or charging batteries.



No smoking, open flames, or sparks while working with batteries.



Contains acid.
Avoid contact



Poison. Causes severe burns. Avoid contact.



WARNING: Batteries emit hydrogen, which can cause fire or explosion.
NEVER smoke, light a match, or cause a spark during operation or charging.
ALWAYS charge in a well-ventilated area away from open flame.

GENERAL

- **ALWAYS** read and understand all instructions before installing or charging batteries.
- **NEVER** attempt to install or charge batteries unless you have been trained to do so.
- **NEVER** allow an untrained person to install or charge batteries.
- **ALWAYS** remove all jewelry when working on or near the batteries.
- **ALWAYS** turn off all switches during installation and service.
- **ALWAYS** disconnect the battery leads before performing any service or repair.
- **ALWAYS** wear eye protection and protective clothing to avoid contact with battery acid.
- **NEVER** lay anything on top of batteries as arcing may occur.
- **IF CONTACT WITH BATTERY ACID OCCURS**, follow these instructions:
 - SKIN – rinse area with water.
 - EYES – Flush with water for 15 minutes.
 - INTERNAL – Drink water or milk. Follow with Milk of Magnesia, beaten egg or vegetable oil. Call a physician immediately.

BATTERY INSTALLATION

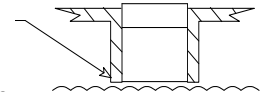
- **ALWAYS** use two people to install, as batteries are heavy.
- **ALWAYS** turn off all machine switches.
- **ALWAYS** position batteries as shown on the machine installation decal to maintain machine balance.
- **ALWAYS** connect batteries as shown on the machine installation decal to avoid shorting out the batteries and the electrical system.

BATTERY CHARGING

- **ALWAYS** read instructions on charger carefully.
- **ALWAYS** use the NSS supplied charger with proper voltage rating.

For lead acid batteries only, (does not apply to gel cell or maintenance free batteries).

- **ALWAYS** check to ensure the battery water level covers the battery plates before charging.
- **ALWAYS** check water level after charging and add distilled water if necessary to bring level to the bottom of the fill hole.
- **NEVER** overfill batteries as battery and machine damage may result.
- **ALWAYS** wipe any acid from the top of batteries using a soap solution.
- **ALWAYS** study battery manufacturers' specific precautions such as recommended rates of charge.
- **ALWAYS** reattach caps to batteries. Do not charge with caps loose or removed.
- **ADD** only distilled water.
- **NEVER** charge a frozen battery.
- **ALWAYS** plug the charger into an earthed socket outlet.
- **NEVER** touch uninsulated portion of output connector or uninsulated battery terminal.
- **ALWAYS** disconnect the AC supply before making or breaking the connections to the battery while charging.
- **NEVER** open or disassemble charger.
- **NEVER** operate charger if the AC supply cord is damaged or if the charger has received a sharp blow, been dropped, or otherwise damaged in any way.



**ALL REPAIR SERVICE MUST BE PERFORMED BY AN NSS AUTHORIZED DISTRIBUTOR/
SERVICE STATION USING ONLY NSS ORIGINAL EQUIPMENT PARTS**

NOISE AND VIBRATION

NOISE

Sound pressure level at Operator position (ISO 11201) 66dB(A)

VIBRATION

Weighted RMS acceleration value (ISO 5349) .367 m/s²

MACHINE INSPECTION

- Now that the machine is unpacked remember to recycle all packing materials.
- Inspect the machine for damage or missing components. If damage is found, contact the local freight company to file a freight claim.

MACHINE COMPONENTS

Solution Tank

The solution tank is the lower part of the machine body. It has a capacity of **10 gallons (38 liters)**.

- The amount of water in the tank is measured by the sight hose, (clear plastic tube), at the rear of the machine.

Recovery Tank

The recovery tank is the upper part of the machine body. It has a capacity of **12 gallons (45 liters)**.

- A rectangular lid assembly closes the recovery tank.
- The recovery tank has a foam-sensitive float shut-off assembly. As the water or foam level rises, the float ball will rise and shut off the air-flow of the vacuum motor to the squeegee. It does **not** shut off the vacuum motor.

Control Panel

The operator control panel is located at the rear area of the machine. This panel has components that control various machine functions.

Starting from the *left* side:

- The circuit breaker is for both the brush motor and the vacuum motor.
- The first switch turns the brush motor on and off.
- The next switch turns the vacuum motor on and off.
- The red switch is the master power switch; it controls the power to all components

Battery Meter

The battery meter is located on the right side of the operator control panel and shows the state of charge of batteries during operation and recharge.

The battery meter is equipped with a relay that will open, turning off the machine, when the battery voltage has dropped to its lowest permissible level.

- When the batteries are fully charged, all of the LED's are illuminated.
- As the batteries discharge, the LED's start to turn off, one at a time, from right to left.
- When the last yellow LED on the left starts blinking, there is only a few minutes of runtime left before the machine is automatically turned off.

Squeegee Assembly

The squeegee assembly has a wide, flat frame to help prevent damage, two (2) mounting knobs, and two (2)

small wheels to prevent "rollover" in reverse.

Brush Gear Motor

This machine has one (1) 24-volt brush motor located at the front of the machine. The motor is attached to a gearbox to turn the pad drivers or brushes.

- This motor has carbon brushes that must be serviced on a regular basis. The carbon brushes have an expected life of 2,000 operating hours. Refer to the maintenance section later in this book.

Vacuum Motor

This machine has a 24-volt vacuum motor.

- The vacuum motor is attached to the underside of the solution tank behind the rubber flap.
- This motor has carbon brushes that must be serviced on a regular basis. The carbon brushes have a maximum expected life of 700 operating hours. Refer to the maintenance section later in this book.

Battery Packages

The Wrangler 1710/2010 is a **24 volt system** with two (2) 12 volt, 115 amp hour batteries. Consult your local NSS authorized distributor for application recommendations.

PREPARING THE MACHINE

Installing the Batteries:

- Turn off all switches.
- Empty all liquids from recovery tank.
- Step on foot pedal at front of machine to release tanks. Lift tanks up and tilt back to rest on handles.
- Refer to the wiring diagram on bottom of tanks.
- Align batteries in the compartment as shown on the diagram.
- Install battery cables as shown on the wiring diagram.
- Tighten bolts and hex nuts with a wrench.
- **CAUTION:** Do not short across two terminals with a wrench.
- Loose or improper battery connections will cause battery or machine damage and possible personal injury.

Battery Charging

- To recharge the batteries plug the charger cord, located at the rear of the machine, into an electrical outlet.
- When the cord is plugged into an outlet the machine will become disabled.

See charging instructions for more details.

Preparing the Solution and Recovery Tanks:

- **Never** use water over *140° F (60° C)* degrees.
- Excessively hot water may damage components such as the tanks.
- Put 1 to 2 gallons [3.8L to 7.6L] of clean water into the solution tank first to help dilute the chemicals and prevent excess foaming. Dilute the cleaning chemicals according to the manufacturer's instructions.
- Fill the tank by pouring the water and cleaning chemicals through the mesh filter that covers the opening at the front of the solution tank.

- Make sure the recovery tank drain hose is tight on the plug.
- **Always** use a defoamer to protect the vacuum motor.
- Consult your local distributor for complete chemical advice.

Install a Pad Driver and Pad:

- There is a wide range of pads or brushes available for the many cleaning applications. Consult your NSS authorized distributor for recommendations.
- Turn off all switches and empty all liquids from the recovery and solution tank.
- Raise the brush motor into the “up” position. The foot pedal is at the rear left of the machine. Step on the pedal and slide it to the right into the notch.
- Step on the foot pedal latch at the front of the machine chassis.
- Lift the machine body by the opening for the solution tank. Tilt the machine body backward until the handles rest on the floor.
- Remove pad driver assembly from drive casting on end of brush motor shaft by turning the driver counter-clockwise.
- Turn the pad drivers upside down on the floor and remove the pad holding cup.
- Remove the center cutout of the 17” (43cm) or 20” (51cm) pad if present and place pad on the face of the pad driver.
- The pad *must be centered* on the driver to prevent wobbling or bouncing.
- Install and secure the pad holding cup to the pad driver. Turn the pad driver over so that the pad faces the floor.
- Align the notches of the pad driver with the lugs of the drive casting.
- Turn the pad driver clockwise to lock onto the drive casting.
- Turn the pad driver counter-clockwise to remove.

Install a Brush:

- Align the notches of the brush with the lugs of the drive casting.
- Turn the brush clockwise to lock onto the drive casting.
- Turn the brush counter-clockwise to remove.

Install the Squeegee Assembly:

- Place the squeegee lift arm in the storage (up) position.
- The squeegee assembly mounts to a metal bracket at the bottom center of the machine, using two (2) mounting knobs. Loosen the mounting knobs and slide the squeegee assembly onto the mounting plate.
- The squeegee assembly has two (2) small wheels to prevent “rollover” while in reverse. The roller wheels must face the operator. Hand tighten the mounting knobs. **Do not** use pliers to tighten knobs, as this will defeat the “break-away” design.
- **Do not** add any weights or other pressure to the squeegee mechanism. This will not improve the performance and will shorten the life of the blades.

- It is recommended that, with new blades, the rear wheels be adjusted to their lowest position. Loosen the two screws on the bracket rotate the bracket downward as far as it will go, then tighten the screws. Perform this adjustment on both wheels/brackets.
- When the squeegee becomes worn, and the wiping edge no longer contacts the floor properly, further use may be possible by adjusting the rear wheels upward enough to restore proper engagement of the blades wiping edge with the floor. Be sure to adjust the wheels back down fully when a new blade is installed.

Operating the Machine

The Wrangler 1710/2010 is very maneuverable and is designed for light to medium scrubbing as you operate the machine from behind. Follow these steps to prepare the machine for daily operation.

- Sweep and dust mop the floor to remove dirt and debris before scrubbing. Accumulations of dirt or debris on the floor will reduce cleaning performance.
- You may also need to **preclean** some types of spills or stains before scrubbing.
- Plan your work so that you make long, straight paths with the fewest amounts of turns as possible, overlapping each cleaning path about 2 in. (5cm) to prevent streaking and dirty areas.
- Remove as many obstacles as possible from the area to be scrubbed.
- Do not put strip solution in solution tank. Apply with mop and bucket and rinse with clean water in solution tank.

MACHINE MAINTENANCE

Routine maintenance is critical to ensure proper machine operation and cleaning performance. Perform all maintenance procedures as follows.

Always turn OFF all machine switches before performing any maintenance.

Adjusting the Squeegee Assembly:

As the machine is used, the squeegee blades will wear or need to be replaced due to damage. Some adjustment may be needed.

- Squeegee blades should lie over slightly (like a window squeegee) when the machine is moving forward or in reverse.
- Adjust the blade angle by turning the wing nut on the pivot arm clockwise/counterclockwise.

Daily Maintenance

Solution and Recovery Tanks

- Drain the solution tank through the solution valve or the sight hose at the rear of the machine.
- The recovery tank is emptied through the black hose at the rear of the machine. Remove the plug and drain the liquids according to your local and federal regulations.
- **Every time** you empty the recovery tank, we recommend that you add at least 4 to 6 ounces [120-180 mL] of defoamer chemical into the

recovery tank before resuming work. Vacuum the defoamer into the empty recovery tank through the squeegee vacuum hose.

- At the end of the day empty all liquids from both solution and recovery tanks. Rinse both tanks with clean water to prevent chemical residue build-up, allow to air - dry to prevent odors.
- Remove any residue from screen and float ball to ensure proper operation. Replace float assembly in recovery tank.
- Check lid for airtight seal.
- Check the drain hose for damage and / or restriction, to access the hose, remove the clean out cap from inside the Recovery tank, replace the cap before using the machine.

Battery Charging

- **The master power switch and all other switches must be turned OFF.**
- Recharge the batteries at the end of every shift or when indicated by the battery meter. Read the battery meter while the machine is in use.
*115 AH batteries require 9-12 hours to fully charge.
- **NOTE:** If battery charger is unplugged before the charging cycle is completed, it may take up to five minutes before the machine is able to be turned on.
- Consult your local authorized NSS distributor or service center for assistance.

Battery Electrolyte (Liquid) Level

Inspect the electrolyte level of at least one cell in each battery before daily charging. The liquid must be visible above the internal plates. Do not charge the batteries if the liquid is below the plates.

- Add only distilled water to the cell of a battery to adjust the liquid level. **Do not** use well or tap water. Before charging, add only enough water to cover the top of the internal plates. After charging add only enough water to bring the level to the bottom of the fill tube.
- **Do not** overfill the battery liquid level, this will cause electrolyte (acid) spill. Spilled electrolyte (acid) can cause machine damage and personal injury. Clean up and dispose of all spills immediately.
- **Every cell** of every battery must be checked and replenished once per week.
- See the battery-warning sheet (page 2) for more details.

Pad Drivers or Brushes

- Remove either pad drivers or brushes from machine after use.
- Rinse with clean water to prevent chemical residue build-up.
- Allow to air-dry, on a peg or upside down on a shelf.
- Inspect for wear or damage. Repair or replace as needed.

Squeegee Assembly

- Remove squeegee assembly from machine.

- Rinse with clean water to prevent chemical residue build-up.
- Allow to air dry, it can be stored on top of the machine for drying.
- Inspect the squeegee assembly, linkage, and vacuum hose, for wear, damage or obstruction. Repair or replace as needed.
- Remove debris from squeegee hose and entrance to recovery tank.

Weekly Maintenance (20 Hours)

- Verify all daily maintenance has been performed.
- Inspect all battery liquid levels. Adjust to proper level as needed. Add only distilled water.
- Check all battery terminal and cable connections. Tighten as needed. Loose connections are dangerous and can cause personal injury and machine damage.
- Clean any corrosion from battery terminals and cables.
- Drain all liquids from battery compartment. Dispose of according to local and federal regulations.
- Check solution flow to pad drivers / brushes. Flush clean solution tank and hoses with a mixture of 8 oz. (250ml.) white vinegar to one-gallon (4 liter) warm water.
- Repair or replace any worn or damaged components as needed.

******CAUTION******

Inspect and replenish battery water in every cell in every battery weekly. Failure to maintain proper electrolyte level in every cell of every battery will cause premature battery failure, and void the warranty.

Monthly Maintenance (100 Hours)

- Verify all daily and weekly maintenance has been performed.
- Lubricate the axle bearings of the two large 8" (20cm) wheels. Use high-grade water-resistant grease.
- Lubricate the caster with moisture resistant foaming-type spray.

Mandatory Periodic Maintenance

It is important for you to read the hour meter for hours used in order to perform this machine maintenance.

It is **mandatory** that the following maintenance procedure be performed at the described interval. Failure to perform this procedure may result in poor machine performance, machine component damage and failure. This procedure should be performed by an NSS authorized distributor or service center. Repairs performed by an unauthorized company will void the machine warranty. If you require assistance finding an authorized service center, please contact NSS Enterprises, Inc.

After every **450-500 hours** of operation you must inspect vacuum motor carbon brushes for wear. Replace the vacuum motor carbon brushes when they are 7/16in. (11mm) in length.

After every **650-700 hours** of operation you must inspect brush motor carbon brushes for wear. Replace the brush motor carbon brushes when they are 1/2in. (13mm) in length.

BATTERY CHARGER OPERATING INSTRUCTIONS

GENERAL INFORMATION AND WARNINGS

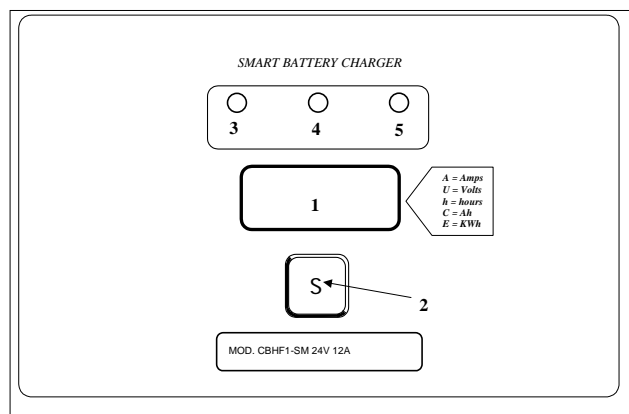
- NSS machines are delivered with the SPE charger set to Curve #0 for Crown batteries.
- Electronic automatic battery charger with microprocessor suitable for any battery type.
- Fully automatic charging cycle with electronic setting; protected against overload, short-circuit at clamps and reversed polarity.
- Before starting to charge, make sure the voltage of the equipment suits the voltage of the battery, that the charging current suits the capacity of the battery and that the selected charging curve (for lead-acid batteries or airtight gel batteries) is correct for the type of battery to be charged. In addition, make sure the rated input voltage of the charger suits the available supply voltage and the system is equipped with grounding.
- Pay attention to any instructions of the battery manufacturer.

CONTROLS (see figure below)

1. Three-digit display + symbol (1), to view **A** = the charging current, **U** = the battery voltage, **h** = the charging time, **C** = the charging ampere-hours [Ah], **E** = the energy used [KWh].
2. Button for the Selection of the display mode (2): **A, U, h, C, E**. After about 10 seconds the display returns to the visualization of the charging current.
3. Red control indicator (3): when it is on, the charging cycle has started.
4. Yellow control indicator (4): when it is on, the final phase of the charging cycle has started.
5. Green control indicator (5): when it is on, the charging cycle has finished.

OPERATION

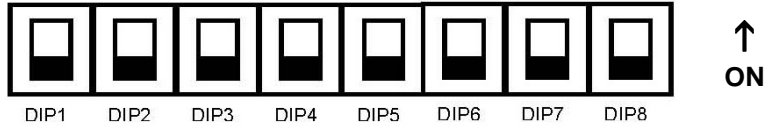
- Plug the cord into a socket.
- Now, the battery charger's display will show a sequence of details on the charger's internal programming: after the name "SPE", it will show the software release installed in the equipment, then, in sequence, the following parameters: battery voltage, charging current, charging curve number and, finally, the words "**GEL**" or "**Acd**" depending on the set up charging curve being suitable for airtight gel batteries or lead-acid batteries. Now, a test is run on the battery voltage to decide if the charging process should be started or not. If the battery is not connected to the battery charger, the display will show the word "**bat**". The word will stay on, even if the test is failed (for instance, reversed polarities or incorrect battery connection). If the test is passed, the display will show the battery voltage for approximately 5 seconds and the battery will begin to be charged. The charging cycle progress will be shown by red (3), yellow (4) and green (5) LED indicators. At the end of the charge, when the green indicator (5) is on, unplug the cord from the socket and operate the machine.



**FRONT PANEL OF BATTERY CHARGER MODEL
CBHF1-SM**

CBHF1-SM DIP SWITCH CONFIGURATION

Through the set of 8 dipswitches it is possible to change the charging curve (15 charging curves are available for Wet and Gel batteries and it is possible to customize the charging profile under the specifications of battery manufacturers), the battery voltage (12V or 24V) and the charging current (4A or 8A or 10A or 12A). The set of 8 dip switch is easy to find (is located under the front label of the charger, lifting the corner on the bottom-left) without opening the charger.



DIP1 DIP2 DIP3 DIP4 for the selection of the CHARGING CURVE

DIP1	DIP2	DIP3	DIP4	CHARGING CURVE
ON	ON	ON	ON	0 – Special Curve for charging CROWN Lead-Acid (wet) batteries. SETTING FOR NSS 2392111 - BATTERY, WET 12V, 115 AMP/HR 6393651 - BATTERY WET, 12V, 130 AMP/HR
OFF	ON	ON	ON	1 – Curve for charging AGM SEALED LEAD-ACID batteries w/float charge. SETTING FOR NSS 2392731 AGM BATTERY, 12V, 100AMP/HR
ON	OFF	ON	ON	2 - Curve for charging typical GEL sealed lead acid batteries.
OFF	OFF	ON	ON	3 – Wet batteries with float, 3.5A finish, formerly curve #4.

***For batteries from manufacturers other than Crown, contact NSS customer service for a recommended algorithm. Not all other manufacturer's batteries are compatible with the chargers supplied on NSS equipment.**

DIP5 DIP6 DIP7 for the selection of the CURRENT

DIP5	DIP6	DIP7*	CURRENT
ON	ON	ON OR OFF	4A
OFF	ON	ON OR OFF	8A
ON	OFF	ON OR OFF	10A
OFF	OFF	ON OR OFF	12A

DIP8 for the selection of the battery voltage

DIP8	VOLTS
ON	12
OFF	24

*Dip7 is unused for any of the algorithms programmed on the battery charger.

Battery Charger Fault Codes

PROBLEMS	SOLUTIONS AND CHECKS
The battery charger does not switch on	Check that the plug is connected to the supply mains and that the circuit breaker is efficient.
The charging cycle does not start and the message ' bat ' is displayed.	Check the connection to the battery and the polarity.
The yellow indicator (4) will not light up even 15 hours from the starting of the charging cycle, and the display shows E03 .	Check the battery for possible faulty components.
The message E01 is displayed	This means that the maximum voltage admissible by the battery has been exceeded. The charging is interrupted.
The message E02 is displayed.	This means that the maximum temperature has been exceeded. The charging is interrupted.
The message SCt is displayed	SCt is a fault code indicating time out before charge cycle completed..
The message Srt is displayed	This signals a possible internal short circuit.
The message EdU is displayed	The batteries are damaged and need replaced.
The message EdI is displayed	The batteries are damaged and need replaced.

TROUBLE-SHOOTING

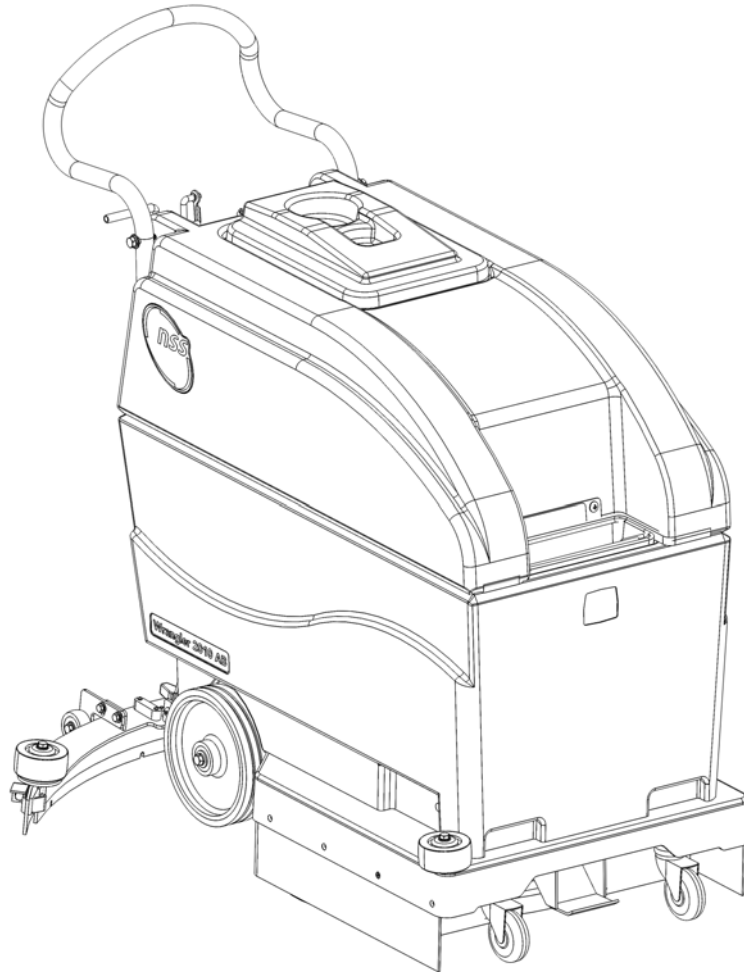
PROBLEM	CAUSE	SOLUTION
No Solution Flow.	Solution tank is empty. Low battery charge. Clogged filter. The solution valve is closed. Obstruction in the solution hose. Solution valve or linkage damaged. Solution hose kinked.	Fill the tank. Charge the batteries. Clean filter. Open the solution valve. Remove the obstruction. Repair / replace the valve linkage. Check for kinks and remove.
Solution Flow Does Not Stop.	The solution valve is open. Solution valve or linkage damage. The solution valve is dirty. Damaged seat and washer in valve. The valve stem is dirty. Hose disconnected or damaged between sol. tank & valve.	Close the solution valve. Repair / replace the valve linkage. Clean the solution valve. Replace valve. Clean and lubricate valve stem. Reinstall or replace hose.
Will Not Pick Up Any Water From Floor.	Squeegee is up. Squeegee hose is off or plugged. Vac motor switch is off. Recovery tank is full. Vacuum shut-off float is stuck. Obstruction / damage in the squeegee, squeegee hose or standpipe. Leaking over gasket. Vac motor is not running. Recovery drain hose not plugged properly.	Lower squeegee. Reinstall hose. Remove cap inside the Recovery tank to clean hose restriction. Turn vac motor switch "on". Empty tank. Open float valve/remove obstruction. Remove obstruction / repair damage. Remove old gasket / replace. Have an authorized serviceman repair. Install drain hose plug properly.
Will Not Pick Up All Of The Water From The Floor.	Debris on squeegee blades. Squeegee blade is worn / damaged. Obstruction / damage in the squeegee, squeegee hose, or standpipe. Squeegee angle needs adjustment. Vacuum motor worn out. Recovery tank drain hose damaged.	Clean squeegee. Reverse / replace squeegee blade. Remove obstruction / repair damage. Adjust angle. Repair / replace vac motor. Repair / replace recovery drain hose.
Runtime is less than when new.	Over charging batteries. (Charging too frequently). Tops of batteries are dirty / wet. Battery terminals are dirty / damaged, or loose. Electrolyte level is too low. Batteries are not fully charged. Charger is damaged. Battery is defective or worn out.	Monitor run time, and adjust charging frequency accordingly. Clean / dry, charge batteries. Clean terminals, and connectors, replace damaged cables. Charge. Add distilled water after charging. Charge batteries for 8 hours. Have an authorized serviceman repair. Check for fault codes on the battery charger while batteries are charging.
Cleaning Is Not Even.	Brush / pad is worn. Damage to brush assembly; casters or solution valve.	Replace brush / pads. Have an authorized serviceman repair.
Machine does not run.	Circuit breaker tripped. Battery cables loose or not connected. Batteries not charged. Battery charger was unplugged before the charge cycle was completed.	Reset circuit breaker. Check and connect or tighten. Charge batteries. Wait (up to five minutes) and try again.

NOTE: If any problems remain after taking the above steps, contact your local authorized distributor / service station for further evaluation and repair.

MANUEL D'INSTRUCTIONS

WRANGLER 1710 AB / 2010 AB

Translation from Original Instructions
Une Traduction Des Instructions Originales



WRANGLER 1710 AB / 2010 AB

IMPORTANTES INSTRUCTIONS DE SÉCURITÉ



Avertissement: Le non-respect de ces instructions peut causer des blessures à la machine, l'opérateur, ou des passants.



AVERTISSEMENT: Danger d'incendie ou d'explosion. **JAMAIS** utiliser cet appareil dans une atmosphère explosive (poussière de grain, liquides ou vapeurs inflammables, etc.)



AVERTISSEMENT: Danger d'incendie ou d'explosion **JAMAIS** tenter de ramasser des matériaux inflammables ou combustibles ou d'utiliser ces matériaux dans le réservoir.



AVERTISSEMENT: Huile d'orange (D-limonène) n'est pas compatible avec les matières plastiques utilisées dans NSS autolaveuses et le système de mesure chimique Sidekick. L'utilisation de D-limonène peut entraîner des dommages à la machine.



AVERTISSEMENT: Ce produit contient un chimique connu à l'état de Californie pour causer les défauts de cancer et naissance ou l'autre mal reproducteur.

UTILISATION

Cette machine est conçue pour broser les sols dans un environnement intérieur. NSS ne recommande pas d'utiliser cet appareil à d'autres fins.

POUR VOTRE SÉCURITÉ:

- **TOUJOURS** lire et comprendre toutes les instructions avant d'utiliser ou d'entretenir la machine.
- **TOUJOURS** utiliser cette machine uniquement comme décrit dans ce manuel.
- **NE JAMAIS** tenter de faire fonctionner cette machine, sauf si vous avez été formé dans son fonctionnement.
- **NE JAMAIS** laisser une personne non formée à fonctionner cette machine.
- **NE JAMAIS** tenter de faire fonctionner cette machine si elle ne fonctionne pas correctement ou s'il a été endommagé de quelque façon.
- **NE JAMAIS** déconnecter ou modifier des interrupteurs ou des dispositifs de sécurité (disjoncteur).
- **NE JAMAIS** laisser tomber ou insérer un objet dans les ouvertures de la machine.
- **NE JAMAIS** utiliser cette machine avec une ouverture d'air bloqué. Gardez toutes les ouvertures d'air libres de poussière, les peluches, les cheveux, etc.
- **NE JAMAIS** ramasser tout ce qui brûle ou qui fume, comme des cigarettes, des allumettes ou des cendres chaudes.
- **NE JAMAIS** pulvériser cette machine avec de l'eau ou des liquides.
- **NE JAMAIS** laisser le moteur d'aspiration ou la prise de charge de la batterie à se mouiller ou un court peut se produire.
- **NE JAMAIS** utiliser cette machine lorsque le chargeur de batterie est branché.
- **NE JAMAIS** utiliser cette machine avec la jupe latérale enlevé.
- **NE JAMAIS** laissez cette machine pour être utilisé comme un jouet. Une attention particulière est nécessaire lorsqu'il est utilisé par ou près des enfants.
- **Portez toujours** des chaussures de tennis propres ou chaussures " anti-dérapant ". Cuir à semelles des chaussures vont devenir très glissant lorsqu'il est mouillé.
- **TOUJOURS** garder le visage, les doigts, les cheveux ou toute autre partie du corps ou des vêtements amples loin de toute ouverture de la machine ou d'une partie mobile (renouvelable brosse, pilote de la tablette, ou un moteur à vide).
- **TOUJOURS** mettre l'appareil hors tension lors de la fixation des tampons ou des pinceaux.
- **TOUJOURS** retirer les touches lorsque cette machine est laissée sans surveillance.
- **TOUJOURS** s'assurer que la rampe est fixée au véhicule avant de charger / décharger.
- **TOUJOURS** utiliser une extrême prudence lors de l'utilisation de la machine sur une rampe ou de chargement / déchargement de cette machine dans ou hors d'un camion / remorque. Soyez extrêmement prudent si la rampe est humide, grasse, ou recouverts de produits chimiques de nettoyage.
- **NE JAMAIS** arrêter ou faire tourner la machine sur une rampe ou pente.
- **NE JAMAIS** tenter de monter un grade ou d'utiliser cette machine sur une rampe ou pente de plus de 8 degrés.
- **NE JAMAIS** stationner ou remiser la machine près d'un quai, sur des rampes, à proximité d'un four, de la chaudière, de la flamme nue, ou de toute autre source de chaleur élevée.
- **NE JAMAIS** laissez cette machine à geler.
- **NE JAMAIS** exposer la machine à la pluie, la neige ou des températures extrêmes.
- **NE JAMAIS** entreposer tous les articles de cette machine.
- **TOUJOURS** rangez cet appareil à l'intérieur dans un endroit frais et sec.

CONSIGNES DE SÉCURITÉ IMPORTANTES

ÉQUIPEMENT DE PILES avec à son bord Chargeurs de batterie



AVERTISSEMENT: Le non-respect de ces instructions peut causer des blessures à l'opérateur de la machine ou des passants.



Lire et comprendre toutes les instructions avant d'installer ou de charger les batteries.



Pas de fumée, les flammes, les étincelles ou en travaillant avec des piles.



Contient de l'acide. Éviter tout contact.



Poison. Provoque des brûlures graves. Éviter le contact.



AVERTISSEMENT: Les batteries dégagent de l'hydrogène, ce qui peut provoquer un incendie ou une explosion.

NE JAMAIS fumer, allumer une allumette ou provoquer une étincelle pendant le fonctionnement ou le chargement.

TOUJOURS charger dans un endroit bien aéré, loin de toute flamme.

GENERAL

- **TOUJOURS** lire et comprendre toutes les instructions avant d'installer ou de charger les batteries.
- **NE JAMAIS** tenter d'installer ou de charger les batteries, sauf si vous avez été formé pour le faire.
- **NE JAMAIS** laisser une personne non formée à installer ou de charger les batteries.
- **TOUJOURS** retirer tous les bijoux lorsque vous travaillez sur ou près des batteries.
- **TOUJOURS** éteindre tous les commutateurs lors de l'installation et le service.
- **TOUJOURS** débrancher les câbles de batterie avant d'effectuer tout entretien ou réparation.
- **TOUJOURS** porter des lunettes de protection et des vêtements de protection pour éviter tout contact avec de l'acide de batterie.
- **NE JAMAIS** rien poser sur le dessus de piles arc électrique peut se produire.
- **SI CONTACT AVEC L'ACIDE** piles, suivez ces instructions:
 - PEAU - Rincer la zone avec de l'eau.
 - YEUX - Rincer à l'eau pendant 15 minutes.
 - INTERNE - Buvez de l'eau ou du lait. Suivez avec du lait de magnésie, un œuf battu ou de l'huile végétale. Appeler immédiatement un médecin.

INSTALLATION DES PILES

- **TOUJOURS** utiliser deux personnes pour installer, que les batteries sont lourdes.
- **TOUJOURS** éteindre tous les interrupteurs de la machine.
- **TOUJOURS** batteries de position, comme indiqué sur l'autocollant de l'installation de la machine pour maintenir l'équilibre de la machine.
- **TOUJOURS** raccorder piles comme indiqué sur un autocollant à l'installation de la machine pour éviter de court-circuiter les piles et le système électrique.

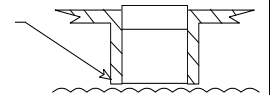
CHARGE DE LA BATTERIE

- **TOUJOURS** lisez les instructions sur le chargeur avec soin.

- **TOUJOURS** utiliser le NSS fourni chargeur avec la tension nominale correcte.

Pour les batteries au plomb-acide seulement (ne s'applique pas à la cellule de gel ou batteries sans entretien).

- **TOUJOURS** vérifier pour assurer le niveau d'eau de la batterie couvre la batterie à plat avant de le charger.
- **TOUJOURS** vérifier le niveau d'eau et ajouter charge efficace distillée si nécessaire pour amener le niveau de l'eau au fond du trou de remplissage.
- **NE JAMAIS** trop remplir les batteries que la batterie et la machine peut causer des dommages.
- **TOUJOURS** essuyer tout acide du haut de batteries à l'aide d'une solution savonneuse.
- **TOUJOURS** étudier précautions spécifiques des fabricants de batteries de tels que les taux recommandés de la charge.
- **TOUJOURS** rattacher des bouchons de batteries. Ne chargez pas de bouchons en vrac ou supprimés.
- **AJOUTER** seulement de l'eau distillée.
- **NE JAMAIS** charger une batterie gelée.
- **TOUJOURS** branchez le chargeur sur une prise de courant mise à la terre.
- **NE JAMAIS** toucher les parties non isolées du connecteur de sortie ou les bornes de la batterie non isolée.
- **TOUJOURS** débrancher l'alimentation secteur avant de faire ou défaire les connexions à la batterie pendant la charge.
- **NE JAMAIS** chargeur ouvrir ou de démonter.
- **NE JAMAIS** utiliser le chargeur si le cordon d'alimentation est endommagé ou si le chargeur a reçu un coup, s'il est tombé ou endommagé de quelque manière que



TOUT SERVICE DE REPARATION DOIT ETRE EFFECTUEE PAR UN CENTRE DISTRIBUTEUR / SERVICE AUTORISÉ NSS UTILISANT UNIQUEMENT DES PIÈCES ÉQUIPEMENT ORIGINAL NSS

BRUIT ET DES VIBRATIONS

BRUIT

Niveau de pression acoustique à la position de l'opérateur (ISO 11201) 66dB(A)

VIBRATION

Valeur d'accélération moyenne pondérée du (ISO 5349) .367 m/s²

INSPECTION DE LA MACHINE

- Maintenant que la machine est déballé n'oubliez pas de recycler tous les matériaux d'emballage.
- Inspecter la machine pour les dommages ou les composants absents. S'il est endommagé, contacter la compagnie de transport locale pour déposer une demande de fret.

Composants de la Machine

Réservoir de Solution

Le réservoir de solution est la partie inférieure du corps de la machine. Il a une capacité de 10 gallons (38 litres).

- La quantité d'eau dans le réservoir est mesurée par le tuyau de vue, (tube en plastique transparent), à l'arrière de la machine.

Réservoir de Récupération

Le réservoir de récupération est la partie supérieure du corps de la machine. Il a une capacité de 12 gallons (45 litres).

- Ensemble de couvercle rectangulaire ferme le réservoir de récupération.
- Le réservoir de récupération a un flotteur assemblage d'arrêt de mousse sensible. Comme le niveau de l'eau ou de la mousse monte, le flotteur s'élève et coupe le flux d'air du moteur d'aspiration à la raclette. Il n'a pas d'arrêt du moteur à vide.

Panneau de Configuration

Le panneau de commande de l'opérateur se trouve dans la zone arrière de la machine. Ce panneau comporte des éléments qui contrôlent diverses fonctions de la machine.

À partir de la gauche:

- Le disjoncteur est à la fois le moteur de la brosse et le moteur d'aspiration.
- Le premier commutateur active le moteur de la brosse sur et en dehors.
- Le commutateur à côté tourne le moteur à vide sur et en dehors.
- L'interrupteur rouge est l'interrupteur d'alimentation principale; le contrôle de puissance à tous les composants.

La jauge de Batterie

La jauge de batterie est situé sur le côté droit du panneau de commande de l'opérateur et indique l'état de charge des batteries pendant le fonctionnement et la recharge.

L'indicateur de charge est équipé d'un relais qui s'ouvre, d'éteindre la machine, lorsque la tension de la batterie soit tombé à son niveau le plus bas admissible.

- Lorsque les batteries sont complètement chargées, tous les voyants sont allumés.

- Comme les piles se déchargent, le début de la LED pour éteindre, un à la fois, de droite à gauche.
- Lorsque la dernière LED jaune sur la gauche commence à clignoter, il est à seulement quelques minutes d'autonomie à gauche avant que la machine s'éteint automatiquement.

Assemblée raclette

Le racloir a un cadre large et plat pour aider à prévenir les dommages, deux boutons (2) de montage, et deux (2) petites roues pour empêcher "rollover" dans le sens inverse.

Brosse Motoréducteur

Cette machine est équipée d'un (1) moteur de la brosse de 24 volts situé à l'avant de la machine. Le moteur est fixé à une boîte de vitesses pour activer les conducteurs de plaquettes ou de brosses.

- Ce moteur est équipé d'un balai en carbone qui doit être entretenue sur une base régulière. Les brosses de carbone ont une durée de vie de 2000 heures de fonctionnement. Reportez-vous à la section d'entretien plus tard dans ce livre.

Moteur Aspirateur

Cette machine est équipée d'un moteur d'aspiration 24 volts.

- Le moteur d'aspiration est fixée à la face inférieure du réservoir de solution derrière le rabat en caoutchouc.
- Ce moteur est équipé d'un balai en carbone qui doit être entretenue sur une base régulière. Les brosses de carbone ont une durée de vie prévue de maximum de 700 heures de fonctionnement. Reportez-vous à la section d'entretien plus tard dans ce livre.

Forfaits de Batterie

La Wrangler 1710/2010 est un système de 24 volts avec deux (2) 12 volts, batteries 115 ampères heure. Consultez votre distributeur local NSS autorisé pour les recommandations d'application.

PRÉPARATION DE LA MACHINE

Installation des Piles:

- Éteignez tous les interrupteurs.
- Videz tous les liquides du réservoir de récupération.
- Appuyer sur la pédale de pied à l'avant de la machine pour libérer les réservoirs. Réservoirs jusqu'à de levage et d'inclinaison arrière de se reposer sur les poignées.
- Reportez-vous au schéma de câblage sur fond des réservoirs.
- Aligner les piles dans le compartiment comme indiqué sur le schéma.
- Installer les câbles de la batterie comme indiqué sur le schéma de câblage.
- Serrer les boulons et les écrous hexagonaux avec une clé.
- **PRUDENCE:** Ne court entre deux bornes avec une clé.
- Les connexions de batterie desserrées ou incorrectes entraînera la batterie ou d'endommager l'appareil et provoquer des blessures.

Chargement de la Batterie

- Pour recharger les batteries branchez le cordon du chargeur, situé à l'arrière de la machine, dans une prise électrique.
- Si le cordon est branché dans une prise de la machine sera désactivé.

Voir les instructions de charge pour plus de détails.

Préparer les réservoirs de solution et de récupération:

- **Ne jamais** utiliser de l'eau sur $140^{\circ}F$ ($60^{\circ}C$).
- Eau trop chaude peut endommager les composants tels que les réservoirs.
- Mettez 1 ou 2 gallons [3.8L to 7.6L] d'eau propre dans le réservoir de solution premier à aider à diluer les produits chimiques et à prévenir l'excès excessif. Diluer les produits chimiques de nettoyage selon les instructions du fabricant.
- Remplir le réservoir en versant de l'eau et des produits chimiques de nettoyage à travers le filtre à mailles couvrant l'ouverture à l'avant du réservoir de solution.
- Assurez-vous que le tuyau de vidange du réservoir de récupération est serré sur la fiche.
- **Toujours** utiliser un agent anti-mousse pour protéger le moteur de vac.
- Consultez votre distributeur local pour obtenir des conseils chimique complète.

Installer un pilote de la tablette et le pad:

- Il existe une large gamme de tampons ou brosses disponibles pour les nombreuses applications de nettoyage. Consultez votre distributeur autorisé pour NSS recommandations.
- Éteignez tous les interrupteurs et vider tous les liquides de la reprise et réservoir de solution.
- Soulevez le moteur de la brosse dans la position jusqu'à . La pédale est à l'arrière gauche de la machine. Appuyez sur la pédale et faites-le glisser vers la droite dans l'encoche.
- Étape sur la pédale de loquet à l'avant du châssis de la machine.
- Soulever le corps de la machine par l'ouverture pour le réservoir de solution. Inclinez le corps de la machine vers l'arrière jusqu'à ce que les poignées reposent sur le sol.
- Déposer le pilote de la tablette à partir du lecteur coulée sur l'extrémité de la brosse arbre du moteur en tournant le conducteur dans le sens antihoraire.
- Mettez les pilotes de la tablette à l'envers sur le sol et enlever la tenue tasse de garniture.
- Retirez la découpe du centre de la 17 "(43cm) ou 20" (51cm) pad pad si présente et place sur le visage du conducteur de tampon.
- Le tampon doit être centrée sur le conducteur à éviter vacillement ou rebondir.
- Installer et assurer la tenue tasse de garniture au pilote de la tablette. Tourner le pilote de tampon de sorte que la garniture en regard du sol.
- Aligner les encoches de l'entraînement de patin avec les pattes de la coulée d'entraînement.
- Mettez le pilote pad vers la droite pour verrouiller sur la coulée d'entraînement.

- Tournez le tapis conducteur dans le sens antihoraire pour enlever.

Installer une Brosse:

- Aligner les encoches de la brosse avec les pattes de la coulée d'entraînement.
- Tournez la brosse dans le sens horaire pour verrouiller sur la coulée d'entraînement.
- Tournez la brosse dans le sens antihoraire pour enlever.

Installez l'Assemblée Raclette:

- Placez le bras de levage raclette dans le stockage (en haut).
- Les supports de montage de raclette à un support métallique en bas au centre de la machine, à l'aide de deux boutons (2) de montage. Desserrez les boutons de montage et faites glisser le bloc de racloir sur la plaque de montage.
- Le racloir a deux (2) petites roues pour empêcher "rollover" en marche arrière. Les galets de roulement doivent faire face à l'opérateur. Serrez à la main les boutons de montage. Ne pas utiliser des pinces pour serrer les boutons, comme cela vaincre la conception " se détacher".
- Ne pas ajouter de poids ou d'autres pressions sur le mécanisme de la raclette. Ce ne sera pas améliorer les performances et de réduire la durée de vie des lames.
- Il est recommandé que, avec de nouvelles lames, les roues arrière sont réglables à leur position la plus basse. Desserrez les deux vis sur le support tournent le support vers le bas aussi loin que possible, puis serrez les vis. Effectuez ce réglage sur les deux roues / supports.
- Lorsque la raclette est usé, et le bord d'essuyage non plus en contact avec le sol correctement, autre utilisation peut être possible en ajustant les roues arrière assez haut pour restaurer un engagement correct des lames d'essuyage bord avec le sol. Assurez-vous de régler les roues arrière à fond quand une nouvelle lame est installé.

Utilisation de la Machine

Le Wrangler 1710/2010 est très maniable et est conçu pour la lumière de lavage moyen que vous utilisez la machine par derrière. Suivez ces étapes pour préparer la machine pour le fonctionnement quotidien.

- balayage et poussière pour enlever la saleté et les débris avant de frotter la serpillière. Accumulations de saleté ou de débris sur le plancher de réduire les performances de nettoyage.
- Vous pouvez aussi avoir besoin de pré-nettoyage de certains types de déversements ou les taches avant lavage.
- Planifiez votre travail de sorte que vous faites, de longs chemins rectilignes avec des montants moins de tours que possible de se chevauchent chaque chemin nettoyage environ 2 po (5 cm) pour éviter les zones de stries et sales.
- Retirez autant d'obstacles que possible de la zone à être nettoyée.

- Ne mettez pas la solution de bande dans le réservoir de solution. Appliquer avec une vadrouille et un seau et rincer à l'eau dans le réservoir de solution.

ENTRETIEN DE LA MACHINE

L'entretien courant est essentiel pour assurer un fonctionnement adéquat de la machine et les performances de nettoyage. Effectuer toutes les procédures de maintenance comme suit.

Coupez toujours tous les interrupteurs de la machine avant d'effectuer toute opération de maintenance.

Réglage de l'Assemblée Raclette:

Comme la machine est utilisée, les lames de raclage porteront ou doivent être remplacés en raison de dommages. Certains réglages peuvent être nécessaires.

- Les lames de raclette doivent reposer sur un peu (comme une raclette de fenêtre) lorsque la machine est en marche avant ou en marche arrière.
- Ajustez l'angle de la lame en tournant l'écrou à oreilles sur le bras de pivot dans le sens horaire / anti-horaire.

Entretien Quotidien

Réservoirs de Solution et de Récupération

- Videz le réservoir de solution à travers la vanne de la solution ou le tuyau de vue à l'arrière de la machine.
- Le réservoir de récupération est vidé par le tuyau noir à l'arrière de la machine. Retirez le bouchon et vidanger les liquides conformément à la réglementation locale et fédérale.
- Chaque fois que vous videz le réservoir de récupération, nous recommandons que vous ajoutiez au moins 4 à 6 onces [120-180 mL] d'antimousse chimique dans le réservoir de récupération avant de reprendre le travail. Passez l'aspirateur sur l'anti-mousse dans le réservoir de récupération vide par le tuyau d'aspirateur raclette.
- À la fin de la journée videz tous les liquides à la fois solution et réservoirs de récupération. Rincer les deux réservoirs avec de l'eau propre pour éviter les résidus de produits chimiques accumulation, de permettre à l'air - sec pour éviter les odeurs.
- Enlevez tout résidu de l'écran et flotter balle à assurer le bon fonctionnement. Remplacer l'ensemble de flotteur dans le réservoir de récupération.
- Vérifiez couvercle pour étanchéité à l'air.
- Vérifier le tuyau de vidange pour les dommages et / ou restriction, pour accéder au tuyau, retirer le bouchon en ressorte propre de l'intérieur du réservoir de récupération, remplacez le capuchon avant d'utiliser la machine.

Chargement de la Batterie

- **L'interrupteur d'alimentation principale et tous les autres commutateurs doivent être éteints.**
- Recharger les batteries à la fin de chaque quart de travail ou lorsque cela est indiqué par la jauge de batterie. Lire l'indicateur de charge pendant que la machine est en cours d'utilisation.
* 115 batteries AH exigent 9-12 heures pour charger complètement.
- **NOTE:** Si le chargeur de batterie est débranché avant que le cycle de charge est terminé, il peut prendre jusqu'à cinq minutes avant de la machine pour pouvoir être mis en marche.
- Consultez votre distributeur ou centre de service agréé pour assistance NSS.

Électrolyte de Batterie (liquide) Niveau

Vérifier le niveau d'au moins une cellule dans chaque batterie avant charge quotidienne de l'électrolyte. Le liquide doit être visible au-dessus des plaques intérieures. Ne pas charger les piles si le liquide est en dessous des plaques.

- Ajouter que de l'eau distillée à la cellule d'une batterie pour régler le niveau de liquide. Ne pas utiliser l'eau du robinet ou bien. Avant de charger, ajouter juste assez d'eau pour couvrir le haut des plaques internes. Après la charge seulement ajouter suffisamment d'eau pour amener le niveau de la partie inférieure du tube de remplissage.
- Ne surchargez pas le niveau de liquide de la batterie, ce qui cause l'électrolyte (acide) déversement. Renversé électrolyte (acide) peut causer des dommages de la machine et des blessures. Nettoyer et éliminer immédiatement toutes les éclaboussures.
- Chaque cellule de chaque batterie doit être contrôlé et réapprovisionné une fois par semaine.
- Voir la fiche batterie d'alerte (page 2) pour plus de détails.

Pilotes Pad ou des brosses

- Retirez soit les pilotes de pavé ou de brosses de la machine après utilisation.
- Rincer à l'eau propre pour éviter les résidus de produits chimiques accumulation.
- Laisser sécher à l'air, sur une cheville ou à l'envers sur une étagère.
- Vérifier l'usure ou des dommages. Réparer ou remplacer si nécessaire.

Assemblée Raclette

- Retirer raclage de la machine.
- Rincer à l'eau propre pour éviter les résidus de produits chimiques accumulation.
- Laisser sécher à l'air, il peut être stocké sur le dessus de la machine pour le séchage.
- Inspecter l'ensemble de la raclette, la liaison, et tuyau d'aspiration, d'usure, de dommages ou de l'obstruction. Réparer ou remplacer si nécessaire.
- Retirer les débris du tuyau raclette et entrée de réservoir de récupération.

Entretien Hebdomadaire (20 heures)

- Vérifiez que l'entretien quotidien a été effectué.

- Inspectez tous les niveaux de liquides de la batterie. Régler au niveau approprié en fonction des besoins. Ajouter que de l'eau distillée.
- Vérifiez tous les bornes de la batterie et les connexions des câbles. Serrer si nécessaire. Des connexions desserrées sont dangereux et peuvent causer des blessures et des dommages de la machine.
- Nettoyez toute corrosion des bornes et des câbles de batterie.
- Videz tous les liquides du compartiment de la batterie. Eliminer conformément aux réglementations locales et fédérales.
- Vérifier le débit de la solution de pilotes de la tablette / brosses. Rincer le réservoir et les tuyaux de solution propre avec un mélange de 8 onces (250ml.) de vinaigre blanc pour un gallon (4 litres) d'eau chaude.
- Réparer ou remplacer les composants usés ou endommagés au besoin.

******PRUDENCE******

Inspecter et de reconstituer l'eau de la batterie dans chaque cellule de chaque semaine de la batterie. Défaut de maintenir le niveau d'électrolyte approprié dans chaque cellule de chaque batterie peut provoquer une panne prématurée de la batterie, et nullité de sa garantie.

Entretien Mensuel (100 heures)

- Vérifier tous les jours et la maintenance hebdomadaire a été réalisée.
- Graisser les paliers d'essieu des roues (20cm) deux grand 8". Utilisez de la graisse résistante à l'eau de haute qualité.
- Graisser la roulette avec résistant à l'humidité de type mousse pulvérisée.

Entretien Périodique et Obligatoire

Il est important pour vous de lire le compteur d'heures pendant des heures utilisées pour effectuer cette maintenance de la machine.

Il est obligatoire que la procédure d'entretien suivant effectué à l'intervalle décrit. Ne pas effectuer cette procédure peut entraîner des performances de la machine pauvres, la machine des dommages aux composants et l'échec. Cette procédure doit être effectuée par un centre de distribution ou de service NSS autorisé. Réparations effectuées par une société non autorisée annulera la garantie de la machine. Si vous avez besoin d'aide pour trouver un centre de service agréé, s'il vous plaît contacter NSS Enterprises, Inc.

Après tous les 450-500 heures de fonctionnement, vous devez inspecter vide moteur balais de charbon pour l'usure. Remplacer le moteur à vide brosses de carbone quand ils sont 7/16in. (11mm) de longueur.

Après tous les 650-700 heures de fonctionnement, vous devez inspecter la brosse moteur balais de charbon pour l'usure. Remplacer le moteur brosse brosses de carbone quand ils sont 1/2IN. (13mm) de longueur.

CHARGEUR MODE D'EMPLOI

INFORMATIONS GENERALES ET MISES EN GARDE

- Machines NSS sont livrés avec le chargeur SPE mis à la courbe # 0 pour les batteries de la Crown.
- Chargeur de batterie automatique électronique avec microprocesseur adapté à tout type de batterie.
- Le cycle entièrement automatique de charge avec réglage électronique; protégé contre les surcharges, les courts-circuits à pinces et les inversions de polarité.
- Avant de commencer à charger, assurez-vous que la tension de l'équipement correspond à la tension de la batterie, que la charge costumes actuels de la capacité de la batterie et que la courbe de charge sélectionné (pour les batteries au plomb-acide ou batteries gel étanches) est correct pour le type de batterie à charger. En outre, assurez-vous que la tension d'entrée nominale du chargeur s'adapte à la tension d'alimentation disponible et le système est équipé de mise à la terre.
- Faites attention à toutes les remarques du fabricant de la batterie.

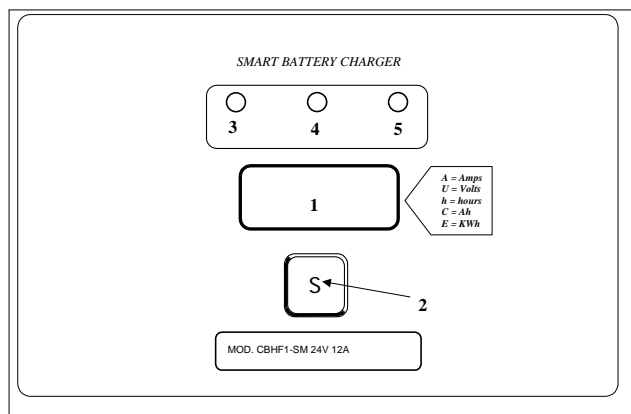
COMMANDES (VOIR FIGURE CI-DESSOUS)

1. Affichage à trois chiffres + symbole (1), pour voir A = le courant de charge, U = la tension de la batterie, h = le temps de charge, C = ampères-heures de charge [Ah], E = l'énergie utilisée [KWh].
2. Bouton de sélection du mode d'affichage (2): A, U, H, C, E. Après environ 10 secondes l'affichage revient à la visualisation du courant de charge.
3. Voyant de contrôle rouge (3): quand il est sur, le cycle de charge a commencé.
4. Voyant de contrôle jaune (4): quand il est sur, la phase finale du cycle de charge a commencé.
5. Indicateur de contrôle vert (5): quand il est sur, le cycle de charge est terminé.

FONCTIONNEMENT

- Branchez le cordon dans une prise.
- Maintenant, l'écran du chargeur de batterie affiche une séquence de détails sur la programmation interne du chargeur: après le nom de "SPE", il affichera

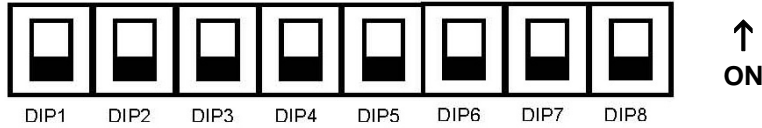
la version du logiciel installé dans l'équipement, puis, dans l'ordre, les paramètres suivants: tension de la batterie, courant de charge de charge nombre, de courbe et, enfin, les mots "gel" ou "Acd" en fonction de la courbe de charge mis en place étant adapté pour étanche batteries gel ou de batteries au plomb-acide. Maintenant, un test est effectué sur la tension de la batterie pour déterminer si le processus de charge doit être activé ou pas. Si la batterie n'est pas connecté au chargeur de batterie, l'écran affiche le mot "chauve-souris". Le mot restera sur, même si le test échoue (par exemple, les polarités ou connexion de la batterie incorrecte inversée). Si le test est réussi, l'écran affiche la tension de la batterie pendant environ 5 secondes et la batterie commence à être chargée. La progression de cycle de charge est indiqué par rouge (3), jaune (4) et vert (5) indicateurs LED. A la fin de la charge, lorsque le voyant vert (5) est, débranchez le cordon de la prise et faire fonctionner la machine.



**PANNEAU AVANT DE BATTERIE MODELE
CBHF1-SM**

CBHF1-SM INTERRUPTEUR CONFIGURATION

Grâce à l'ensemble des 8 commutateurs DIP il est possible de modifier la courbe de charge (15 courbes de charge sont disponibles pour les batteries humides et de gel et il est possible de personnaliser le profil de charge dans les spécifications des fabricants de batteries), la tension de la batterie (12V ou 24V) et le courant de charge (4A ou 8A ou 10A ou 12A). L'ensemble des 8 commutateur DIP est facile à trouver (se trouve sous l'étiquette avant du chargeur, en soulevant le coin en bas à gauche) sans ouvrir le chargeur.



DIP1 DIP2 DIP3 DIP4 pour la sélection de la courbe de charge

DIP1	DIP2	DIP3	DIP4	CHARGING CURVE
SUR	SUR	SUR	SUR	0 – Courbe de charge CROWN plomb-acide Les batteries (humide). MISE POUR NSS 2392111 - BATTERY, WET 12V, 115 AMP/HR 6393651 - BATTERY WET, 12V, 130 AMP/HR
DE	SUR	SUR	SUR	1 – Courbe de charge AGA SEALED batteries plomb-acide w / charge d'entretien. MISE POUR NSS AGM BATTERY, 12V, 100AMP/HR
SUR	DE	SUR	SUR	2 - Courbe de charge GEL typique scellé batteries au plomb.
DE	DE	SUR	SUR	3 – Batteries humides avec flotteur, finition 3.5A, anciennement courbe # 4.

***Pour les batteries de fabricants autres que la couronne, contacter le service client NSS pour un algorithme recommandé. Les piles de tous les autres fabricants ne sont pas compatibles avec les chargeurs fournis sur les équipements NSS.**

DIP5 DIP6 DIP7 pour la sélection de la CURRENT

DIP5	DIP6	DIP7*	CURRENT
SUR	SUR	SUR ou DE	4A
DE	SUR	SUR ou DE	8A
SUR	DE	SUR ou DE	10A
DE	DE	SUR ou DE	12A

DIP8 pour la sélection de la tension de la batterie

DIP8	VOLTS
SUR	12
DE	24

*Dip7 est utilisé pour l'un des algorithmes programmés sur le chargeur de batterie.

Codes de Défaut Chargeur de Batterie

PROBLÈMES	SOLUTIONS ET CONTRÔLES
Le chargeur de batterie ne s'allume pas.	Vérifiez que la prise est reliée au réseau d'alimentation et que le disjoncteur est efficace.
Le cycle de charge ne démarre pas et le message «BAT» s'affiche .	Vérifier la connexion à la batterie et le groupe.
L'indicateur jaune (4) ne s'allume pas même 15 heures après le départ du cycle de charge, et l'écran affiche E03.	Vérifiez la batterie pour les composants défectueux possibles.
Le message est affiché E01.	Cela signifie que la tension maximale admissible par la batterie est dépassé. La charge est interrompue.
Le message est affiché E02.	Cela signifie que la température maximale a été dépassée. La charge est interrompue.
Le message est affiché SCt.	SCt est un code d'erreur indiquant le temps avant le cycle de charge terminé.
Le message est affiché Srt.	Cela indique un possible court-circuit interne.
Le message est affiché EdU.	Les batteries sont abîmées et nécessité remplacés.
Le message est affiché Edl.	Les batteries sont abîmées et nécessité remplacés.

DÉPANNAGE

Pas de solution d'écoulement.	<p>Le réservoir de solution est vide. Faible charge de la batterie. Filtre encrassé. La vanne de la solution est fermé. Obstruction dans le tuyau de solution. Soupape de solution ou d'une liaison endommagé. Tuyau de solution plié.</p>	<p>Remplir le réservoir. Rechargez les batteries. Nettoyer le filtre. Ouvrez la vanne de solution. Retirez l'obstacle. Réparer / remplacer la liaison de soupape. Vérifiez plis et éliminer.</p>
Flux solution ne s'arrête pas.	<p>La vanne de la solution est ouverte. Soupape de solution ou de dommages de liaison. La vanne de la solution est sale. Sécurité endommagée et la rondelle dans la vanne. La tige de valve est sale. Tuyau débranché ou endommagé entre sol. réservoir et la vanne.</p>	<p>Fermez la vanne de solution. Réparer / remplacer la liaison de soupape. Nettoyez la soupape de solution. Remplacer la vanne . Nettoyer et lubrifier la tige de soupape. Réinstaller ou remplacer le tuyau.</p>
Ne sera pas ramasser Toute L'eau du sol.	<p>Raclette revient . Flexible du suceur est éteint ou branché.</p> <p>Commutateur vide moteur est éteint.</p> <p>Réservoir de récupération est plein. Vide d'arrêt flotteur est coincé.</p> <p>Obstruction / dommages à la raclette, tuyau raclette ou sur un tube. Fuite sur le joint. Vide moteur ne fonctionne pas. Récupération tuyau de vidange n'est pas branché correctement.</p>	<p>Basse raclette. Réinstaller le tuyau. Retirez le bouchon à l'intérieur du réservoir de récupération pour nettoyer restriction de tuyau. Tourner le commutateur de moteur aspirateur "sur". Réservoir vide . Ouvrir le robinet à flotteur / enlever une obstruction. Retirer les dommages obstruction / réparation. Enlevez le vieux joint / remplacer. Avoir une réparation de technicien agréé. Installer le bouchon de tuyau de vidange correctement.</p>
Ne sera pas ramasser toute l'eau du sol.	<p>Débris sur les lames de raclette. Raclette est usé / endommagé. Obstruction / dommages à la raclette, flexible du suceur, ou sur un tube. Raclette angle doit être réglé. Le moteur à vide usés. Réservoir de récupération tuyau de vidange endommagé.</p>	<p>Raclette propre . Arrière / remplacer raclette. Retirer les dommages obstruction / réparation. Ajuster l'angle . Réparer / remplacer moteur aspirateur. Réparer / remplacer le tuyau de vidange de récupération.</p>
Exécution est inférieure à l'état neuf.	<p>Charge sur les batteries. (Charge trop souvent).</p> <p>Dessus des batteries sont sales / humide. Bornes de la batterie sont sales / endommagé, ou en vrac. Niveau d'électrolyte est trop bas. Batteries ne sont pas complètement chargées. Le chargeur est endommagé. La batterie est défectueuse ou usée.</p>	<p>Surveillance de l'exécution, et d'ajuster la fréquence de charge en conséquence. Batteries propres / sec, frais. Nettoyez les bornes et les connecteurs, remplacer les câbles endommagés. Chargez. Ajouter de l'eau distillée après la charge. Chargez les batteries pendant 8 heures. Avoir une réparation de technicien agréé. Vérifiez les codes d'erreur sur le chargeur de batterie tandis que les batteries sont en charge.</p>
Nettoyage n'est même pas.	<p>Brosse / disque est usé. Dommages à brosser assemblage; roulettes ou valve de solution.</p>	<p>Remplacez la brosse / pads. Avoir une réparation de technicien agréé.</p>
La machine ne fonctionne pas.	<p>Disjoncteur déclenché. Les câbles de batterie mal branché ou débranché. Piles non facturés. Chargeur de batterie a été débranché avant que le cycle de charge a été achevée.</p>	<p>Réarmer le disjoncteur. Vérifier et connecter ou serrer. Chargez les batteries. Attendre (jusqu'à cinq minutes) et essayez à nouveau.</p>

NOTE: Si des problèmes persistent après avoir pris les mesures ci-dessus, contactez votre station distributeur / réparateur agréé pour une évaluation plus approfondie et la réparation.



EC DECLARATION OF CONFORMITY



(FR) DECLARATION DE CONFORMITÉ (ES) DECLARACIÓN DE CONFORMIDAD (DE) KONFORMITÄTSERKLÄRUNG (NL) VERKLARING VAN OVEREENSTEMMING (P) DECLARAÇÃO DE CONFORMIDADE (SV) DEKLARATION OM ÖVERENSSTÄMMELSE (DK) OVERENSSTEMMELSESERKLÆRING (N) KONFORMITETSERKLÆRING (FIN) VAATIMUSTENMUKAISUUSVAKUUTUS (GR) ΔΗΛΩΣΗ ΕΝΑΡΜΟΝΙΣΗΣ

NSS ENTERPRISES, INC 3115 FRENCHMANS ROAD TOLEDO OHIO U.S.A. 43607 - 2958 PHONE 419/531-2121

Authorized Technical Documentation Representative; Mark Bevington, NSS ENTERPRISES, INC. Unit 7 Pinfold Business Park, 55 Nottingham Road, Stapleford, Nottingham, NG9 8AD

MACHINE/MACCHINA/MAQUINA/BEZEICHNUNG DER MASCHINE/MAQUINA/MASKIN/KONE/ MASKINE/MHXANH:
SCRUBBER-DRYER

TYPE/TIPO/MASCHINENTYP/TYYPPI/ ΤΥΠΟΣ: **WRANGLER 1710AB, AE, WRANGLER 2010AB, AE**

(EN) NSS ENTERPRISES, INC. declares that the machine specified above fulfills all relevant provisions of the following Directives and Standards:
(IT) NSS Enterprises, Inc. Dichiaro che il macchinario di cui sopra soddisfa tutte le pertinenti disposizioni delle seguenti direttive e standard:
(FR) NSS ENTERPRISES, INC déclare que la machine indiquée ci-dessus satisfait à toutes les dispositions pertinentes des directives et des normes suivantes :
(ES) NSS ENTERPRISES, Inc. Declara que el equipo especificado anteriormente cumple con todas las disposiciones pertinentes de las directivas y normas siguientes:
(DE) NSS ENTERPRISES, INC erklart, dass die Maschine oben angegebenen alle einschlägigen Bestimmungen der folgenden Richtlinien und Normen erfüllt:
(NL) NSS Enterprises, Inc verklaart dat de machine hierboven aangegeven alle relevante bepalingen van de volgende richtlijnen en normen voldoet:
(PT) NSS ENTERPRISES, INC declara que a máquina especificada acima cumpre todas as disposições pertinentes das directivas e padrões a seguir:
(SW) NSS Enterprises, Inc. Intygar att maskinen anges ovan uppfyller alla relevanta bestämmelser i följande direktiv och standarder:
(FI) NSS Enterprises, Inc. Vakuuttaa, että laite edellä täyttää kaikki asiaankuuluvat määräykset seuraavien direktiivien ja standardien:
(DK) NSS Enterprises, Inc. Erklærer, at maskinen er angivet ovenfor opfylder alle relevante bestemmelser i følgende direktiver og standarder:
(NO) NSS Enterprises, Inc. erklærer at maskinen er angitt ovenfor oppfylder alle relevante bestemmelser i følgende direktiver og standarder:
(GR) NSS Enterprises, Inc δηλώνει ότι η μηχανή που περιγράφεται ανωτέρω πληροί όλες τις σχετικές διατάξεις των ακόλουθων οδηγιών και προτύπων:

EU Directives/directive UE/directives de l'UE/Directivas de la UE/EU-Richtlinien/EU-richtlijnen/directivas da UE/EU-direktiv/EU-direktiivit/EU-direktiver/EU-direktiver/οδηγίες της Ε.Ε.:

2006/42/EC Machinery Directive 2004/108/EC EMC Directive 2002/44/EC Vibration Directive

Harmonized Standards/ Standard armonizzati/ normas harmonizadas/ Normas armonizadas/ Harmoniserte Normen/ geharmoniseerde normen/ normas harmonizadas/ harmoniserade standarder/ yhdenmukaistetujen standardien/ harmoniserede standarder/ harmoniserte standarder/ εναρμονισμένα Πρότυπα:

EN12100-1, EN12100-2, ISO11201, EN60335-2-72, ISO2631-1, ISO5349-1/-2, EN62233, AB Models; EN55012, IEC61000-6-2 AE Models; IEC61000-3-2, IEC61000-3-3, EN55014-1,-2

This declaration shall cease to be valid if modifications are made to the machine without our approval./ Questa dichiarazione non è più valida in caso di modifiche apportate alla macchina senza il nostro consenso/ Cette déclaration cessera d'être valable si des modifications sont apportées à la machine sans notre accord./ Esta declaración dejará de ser válida si se realizan modificaciones en la máquina sin nuestra aprobación./ Diese Erklärung gilt nicht mehr gültig sein, wenn Änderungen an der Maschine ohne unsere Zustimmung vorgenommen werden./ Deze verklaring verliest haar geldigheid wanneer wijzigingen worden aangebracht aan de machine zonder onze goedkeuring./ Esta declaração deixará de ser válida se as modificações são feitas para o aparelho sem a nossa aprovação./ Denna förklaring skall upphöra att gälla om ändringar görs på maskinen utan vårt godkännande./ Tämä ilmoitus lakkaa olemasta voimassa, jos tehdään muutoksia koneeseen ilman meidän hyväksyntää./ Denne erklæring ophører med at være gyldige, hvis der foretages ændringer på maskinen uden vores godkendelse./ Denne erklæringen skal opphøre å være gyldig dersom modifikasjoner på maskinen uten vårt samtykke./ Η δηλώση αυτή παύει να ισχύει, αν έχουν γίνει τροποποιήσεις στο μηχάνημα χωρίς την έγκρισή μας.

It is ensured through internal measures that series-production units conform at all times to the requirements of current EU Directives and relevant standards./ Si è assicurata da misure interne che serie unità di produzione sono conformi in ogni momento alle esigenze delle attuali direttive CE e alle normative applicate./ Elle est assurée par des mesures internes que les séries unités de production sont conformes en tout temps aux exigences des directives européennes et les normes actuelles pertinentes./ Se garantiza a través de medidas internas que las unidades de producción en serie ajustarse en todo momento a las necesidades de las actuales directivas de la UE y las normas pertinentes./ Es ist durch interne Maßnahmen, die Serien-Geräte entsprechen jederzeit den Anforderungen der aktuellen EU-Richtlinien und den angewandten Normen entsprechen./ Het wordt gewaarborgd door interne maatregelen die serie-productie-eenheden te allen tijde te voldoen aan de eisen van de huidige EU-richtlijnen en relevante normen./ É assegurado através de medidas internas que as unidades de produção em série conformam em todos os momentos com os requisitos das Directivas actuais da UE e padrões relevantes./ Det säkras genom interna åtgärder som serietillverkade enheterna överensstämmer alltid med kraven i gällande EU-direktiv och relevanta standarder./ Se on varmistettu sisäisiä toimenpiteitä että sarjatuotantoyksiköt täyttävät aina vaatimuksiin nykyisten EU-direktiivien ja asiaankuuluvien standardit./ Det sikres gjennom interne foranstaltninger, som serie-produksjonsheder opfylder til enhver tid til kravene i de nuværende EU-direktiver og relevante standarder./ Det er sikret gjennom interne tiltak som serierproduserte enhetene samsvarer til enhver tid til kravene i gjeldende EU-direktiver og relevante standarder./ Διασφαλίζεται μέσω εσωτερικών μέτρων που μαζικής παραγωγής μονάδες συμμορφώνονται ανά πάσα στιγμή με τις απαιτήσεις των ισχυουσών οδηγιών της ΕΕ και των σχετικών προτύπων.

Mark J. Bevington

Toledo, Ohio USA 01-01-2011

President, NSS ENTERPRISES, Inc.



NSS® Enterprises, Inc.

3115 Frenchmens Road
Toledo, Ohio 43607
PHONE (419) 531-2121
FAX (419) 531-3761
mailus@nss.com
www.nss.com